

Product Specification

Product Details

Product name:	t:30™ and AutoSoft 30™ for Tandem
Product illustration:	
Product type and intended use:	Single use infusion set for subcutaneous infusion. The infusion set must be used as described in the Instruction for Use.
Product owner:	Unomedical a/s Aaholmvej 1-3, Osted 4320 Lejre Denmark
Manufacturing Unit:	Unomedical Devices S.A de C.V Avenida Fomento Industrial Lote 9 Manzana 3 Parque Industrial del Norte Reynosa Tamaulipas CP 88736 Mexico
Contact Information:	Internet: www.infusion-set.com Email: info.infusion-set@unomedical.com
Drug compatibility/stability tested with:	Glulisine, Aspart, Lispro and regular human insulin
Sterilization	The infusion sets are supplied as sterile single use devices. The infusion sets are sterilized using ethylene oxide.
Handling/Storage:	Keep the infusion set away from direct sunlight. For safe storage, store at room temperature in the original packaging.
Shelf life:	3 years
Usage time:	Max 72 hours
Additional Information:	<ul style="list-style-type: none"> - Pre-fixed 30 degrees for consistent insertion depth and insulin supply - One-handed disconnection at-site, reversible connector - Soft cannula outer diameter: 0.68mm - 27 gauge introducer needle - 13 mm cannula length - Tubing length: 60 cm (23") and 110 cm (43"). - Tubing ID: 0.385mm, OD: 1.50mm - The product is PVC, phthalate free. - Not made with natural rubber latex - The introducer and connector needles may contain up to 10% nickel. - No raw materials or derivation of animal origin

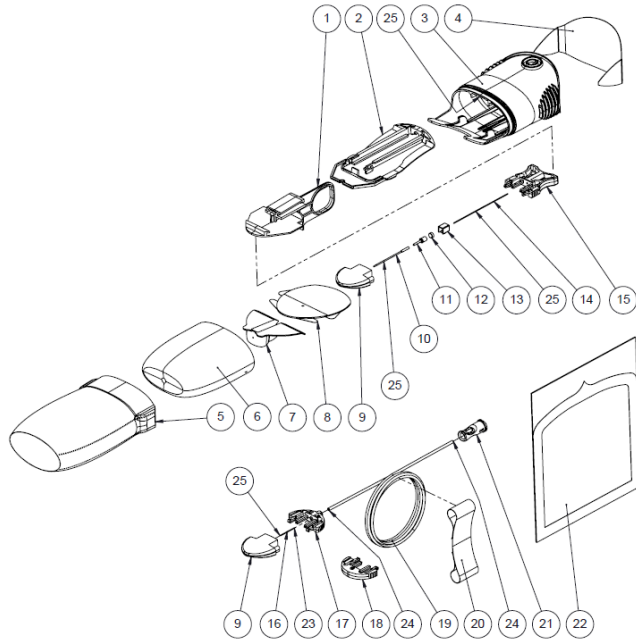
Item numbers

Item number	Tandem item number	Color	Tubing length	Needle length	Pcs. per outer box	Pcs. per inner box
t:30™						
84-060-5225	007287	Gray	60 cm / 23"	13 cm	100	10
84-110-5225	007288	Gray	110 cm / 43"	13 cm	100	10
54-060-5225	008009	Gray	60 cm / 23".	13 cm	48	2
AutoSoft 30™ t:lock™						
84-060-5285	1000200	Gray	60 cm / 23"	13 cm	100	10
84-110-5285	1000202	Gray	110 cm / 43"	13 cm	100	10
54-060-5285	1000283	Gray	60 cm / 23".	13 cm	48	2
AutoSoft 30™ luer Canada						
84-060-5225	1000198	Gray	60 cm / 23"	13 cm	100	10
84-110-5225	1000199	Gray	110 cm / 43"	13 cm	100	10

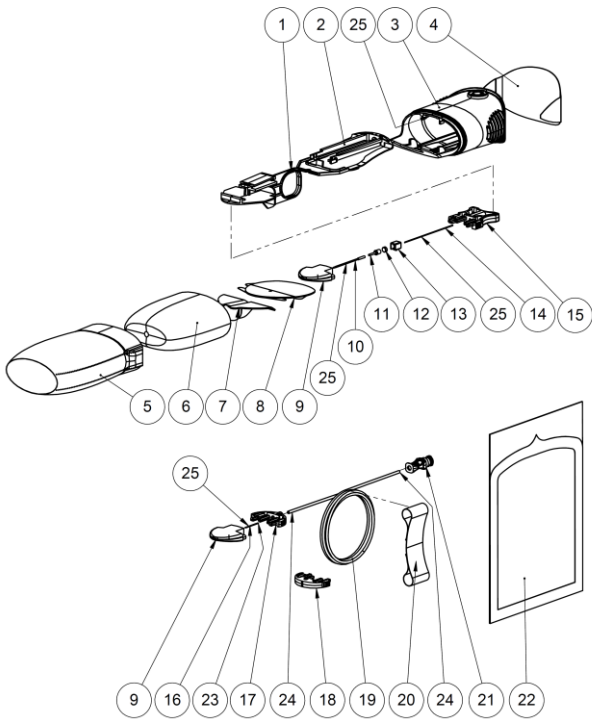
Materials

Component No.	Component	Material
1	Sledge	Polypropylene
2	Spring	PolyoxyMethylen
3	Serter Housing	Polypropylene
4	Tyvec	Polyethylene
5	Sleeve	Polypropylene
6	Serter Lid	Polypropylene + Color pigment
7	Needle Protector	Polypropylene + Color pigment
8	Adhesive patch	Non-woven polyester with polyacrylate adhesive
9	Cannula Housig	Polypropylene
10	Soft Catheter	Polytetrafluoroethylene
11	Bushing	Polycarbonate
12	Injection Port	Silicone rubber
13	Segment	Polyoxymethylene copolymerizate
14	Steel Cannula	Stainless Steel, AiSi 304
15	Introducer Needle Hub	Polypropylene
16	Connector Needle	Stainless Steel, AiSi 304
17	Connector	Methyl methacrylate acrylonitrile butadiene styrene (MABS)
18	Disconnect Cover	Methyl methacrylate acrylonitrile butadiene styrene (MABS)
19	Tubing	Inner: Polyethylene Outer: Polyurethane
20	Fixation Tape	Medical Paper
21	Standard Luer and t:cap	Methyl methacrylate acrylonitrile butadiene styrene (MABS)
22	Pouch	Transparent Film, Gas Paper
23	Glue (for Needle)	UV-Cure Glue
24	Glue (for Hub)	UV-Cure Glue
25	Silicone	Silicone Viscous liquid

t:30™ and AutoSoft 30™ Iuer



AutoSoft 30™ t:lock™



DISCLAIMER: The data listed in this Product Specification is only intended as product information. Unomedical a/s does not assume responsibility for any results obtained by persons over whose methods Unomedical a/s has not controlled and reviewed. It is the user's responsibility to determine the suitability of Unomedical's products and follow the Instructions for Use. Unomedical a/s further disclaims any damage or injury the user has self-inflicted by not following the Instructions for Use. The infusion set is sterilized as long as the package is unopened. The infusion set cannot be cleaned or re-sterilized.